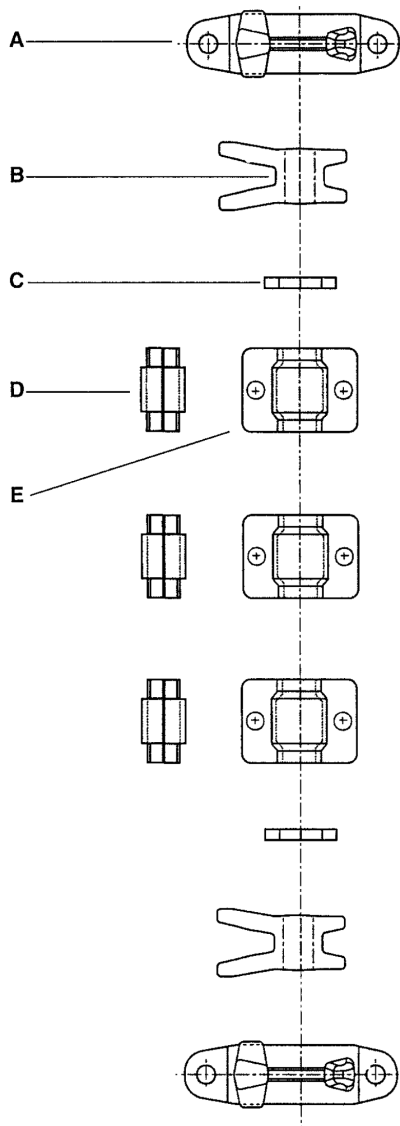


10 Latches, Handles



1011160.000 External rod latch \varnothing 16 mm - set

Material: stainless steel

Weight: 0.930 kg

1012160.000 External rod latch \varnothing 16 mm - set

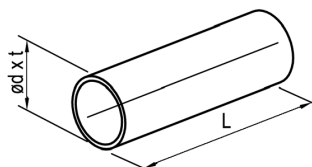
Material: galvanized steel

Weight: 0.930 kg

Spare parts

| TT-number | Name | Material | Number of pieces in the set | Weight kg/pc | Position |
|-------------|-------------|-----------------|-----------------------------|--------------|----------|
| 1011160.101 | Holder | stainless steel | 2 | 0.19 | A |
| 1011160.201 | Hook | | 2 | 0.13 | B |
| 1011160.500 | Washer | stainless steel | 2 | 0.01 | C |
| 1011160.300 | 1/2 inserts | nylon | 6 | 0.006 | D |
| 1011160.400 | Flange | stainless steel | 3 | 0.095 | E |

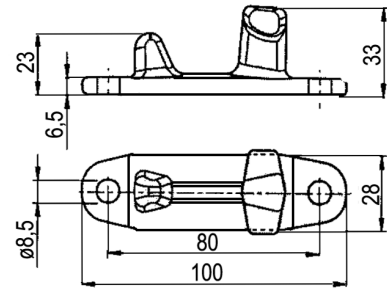
| TT-number | Name | Material | Number of pieces in the set | Weight kg/pc | Position |
|-------------|-------------|------------------|-----------------------------|--------------|----------|
| 1012160.100 | Holder | galvanized steel | 2 | 0.19 | A |
| 1012160.200 | Hook | | 2 | 0.13 | B |
| 1012160.300 | Washer | galvanized steel | 2 | 0.01 | C |
| 1011160.300 | 1/2 inserts | nylon | 6 | 0.006 | D |
| 1012160.500 | Flange | galvanized steel | 3 | 0.095 | E |



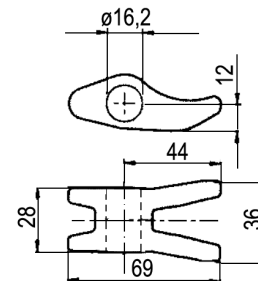
| TT-number | Name | Material | Weight kg/pc |
|-------------|-------------------------------------|------------------|--------------|
| 1011164.000 | Pipe \varnothing 16 x 2 - 3000 mm | stainless steel | 1.800 |
| 1012164.000 | Pipe \varnothing 16 x 2 - 2500 mm | galvanized steel | 1.700 |

EXTERNAL ROD LATCHES - \varnothing 16 mm

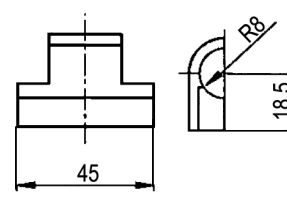
| TT-number | Name | Material | Weight kg/pc |
|-------------|--------|------------------|--------------|
| 1011160.101 | Holder | stainless steel | 0.19 |
| 1012160.100 | Holder | galvanized steel | |



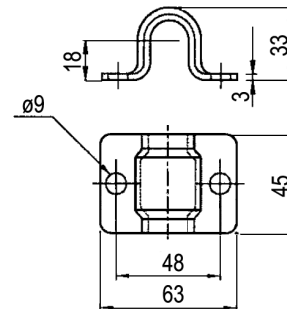
| TT-number | Name | Material | Weight kg/pc |
|-------------|------|------------------|--------------|
| 1011160.201 | Hook | stainless steel | 0.13 |
| 1012160.200 | Hook | galvanized steel | |



| TT-number | Name | Material | Weight kg/pc |
|-------------|-------------|----------|--------------|
| 1011160.300 | 1/2 inserts | nylon | 0.006 |



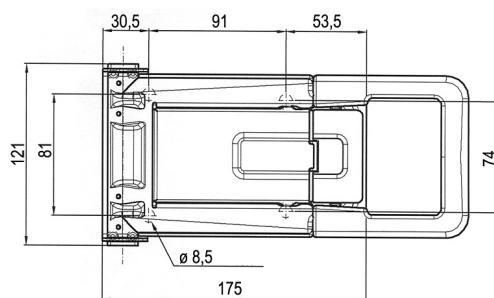
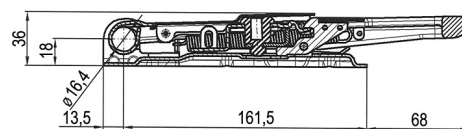
| TT-number | Name | Material | Weight kg/pc |
|-------------|--------|------------------|--------------|
| 1011160.400 | Flange | stainless steel | 0.095 |
| 1012160.500 | Flange | galvanized steel | |



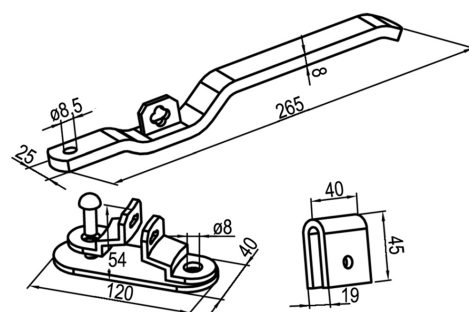
EXTERNAL ROD LATCHES - \varnothing 16 mm



| TT-number | Name | Material | Weight |
|-------------|---|-----------------|--------|
| 1011161.100 | External latch \varnothing 16 mm - lockable with plastic handle | stainless steel | 0.96 |



| TT-number | Name | Material | Weight |
|-------------|---|------------------|--------|
| 1012163.000 | Lever with lock for latch \varnothing 16 mm - set | galvanized steel | 0.8 |





1011220.001

External rod latch \varnothing 22 mm - set

Material: stainless steel

Weight: 1.900 kg

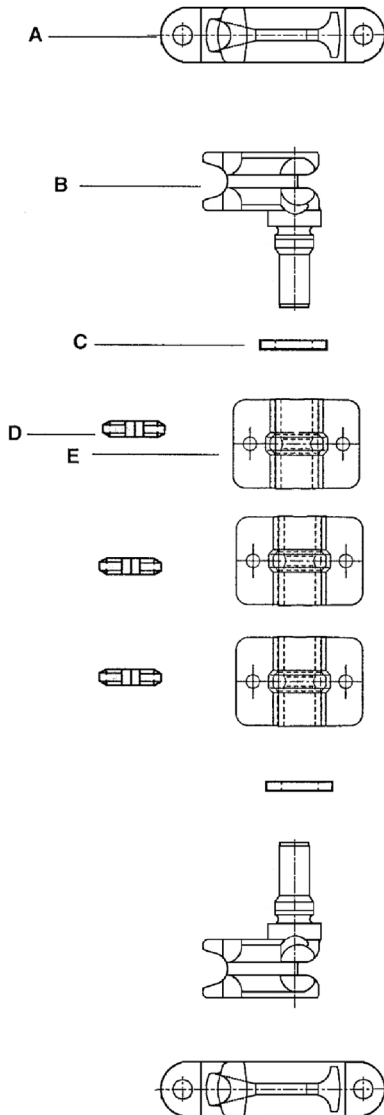
1012220.001

External rod latch \varnothing 22 mm - set

Material: galvanized steel

Weight: 1.900 kg

Spare parts



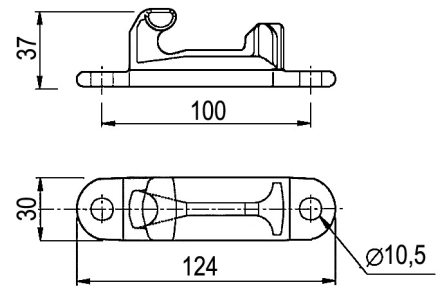
| TT-number | Name | Material | Number of pieces in the set | Weight kg/pc | Position |
|-------------|--------|-----------------|-----------------------------|--------------|----------|
| 1011240.100 | Holder | stainless steel | 2 | 0.350 | A |
| 1011240.200 | Hook | | 2 | 0.330 | B |
| 1011220.300 | Washer | | 2 | 0.032 | C |
| 1011220.400 | Insert | nylon | 3 | 0.005 | D |
| 1011220.500 | Flange | stainless steel | 3 | 0.140 | E |

| TT-number | Name | Material | Number of pieces in the set | Weight | Position |
|-------------|--------|------------------|-----------------------------|--------|----------|
| 1012240.100 | Holder | galvanized steel | 2 | 0.350 | A |
| 1012240.200 | Hook | | 2 | 0.330 | B |
| 1012220.300 | | | 2 | 0.032 | C |
| 1011220.400 | Insert | nylon | 3 | 0.005 | D |
| 1012220.500 | Flange | galvanized steel | 3 | 0.140 | E |

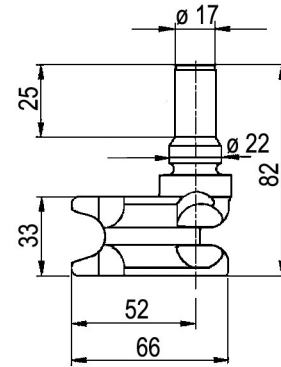
| TT-number | Name | Material | Weight kg/pc |
|-------------|-------------------------------------|------------------|--------------|
| 1011229.000 | Pipe \varnothing 22 x 2 - 3000 mm | stainless steel | 2.900 |
| 1012229.000 | Pipe \varnothing 22 x 2 - 3000 mm | galvanized steel | |

EXTERNAL ROD LATCHES - \varnothing 22 mm

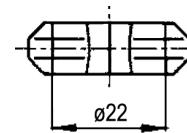
| TT-number | Name | Material | Weight kg/pc |
|-------------|--------|------------------|--------------|
| 1011240.100 | Holder | stainless steel | 0.350 |
| 1012240.100 | Holder | galvanized steel | |



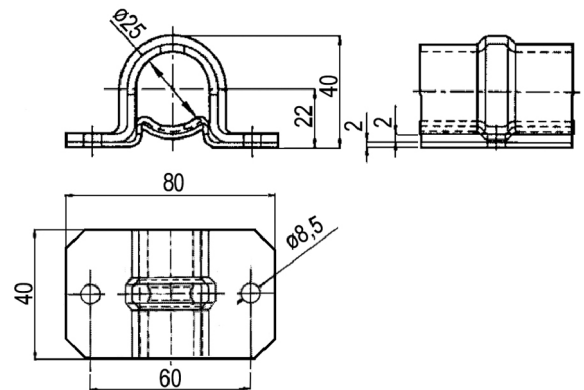
| TT-number | Name | Material | Weight kg/pc |
|-------------|------|------------------|--------------|
| 1011240.200 | Hook | stainless steel | 0.330 |
| 1012240.200 | Hook | galvanized steel | |



| TT-number | Name | Material | Weight kg/pc |
|-------------|--------|----------|--------------|
| 1011220.400 | Insert | nylon | 0.005 |

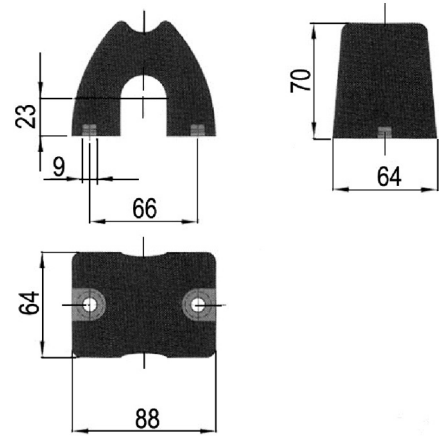


| TT-number | Name | Material | Weight kg/pc |
|-------------|--------|------------------|--------------|
| 1011220.500 | Flange | stainless steel | 0.140 |
| 1012220.500 | Flange | galvanized steel | |

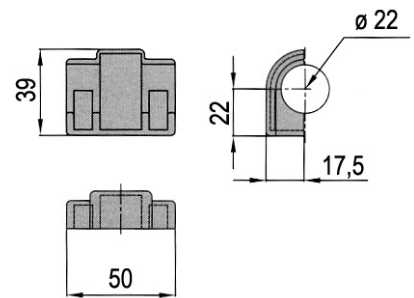




| TT-number | Name | Material | Weight kg/pc |
|-------------|---|----------|--------------|
| 1011221.000 | Rubber stop Application for external rod latches \varnothing 22 and \varnothing 27 mm | rubber | 0.22 |



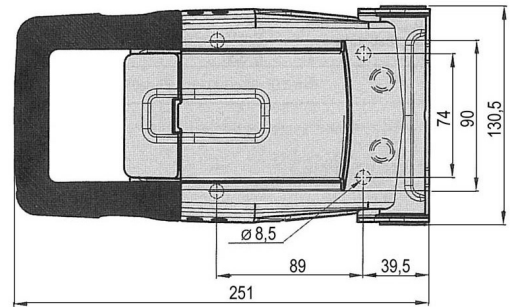
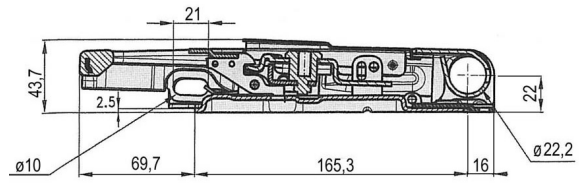
| TT-number | Name | Material | Weight kg/pc |
|-------------|---|----------|--------------|
| 1011221.400 | Nylon case For external rod latches \varnothing 22 mm, colour white | nylon | 0.22 |



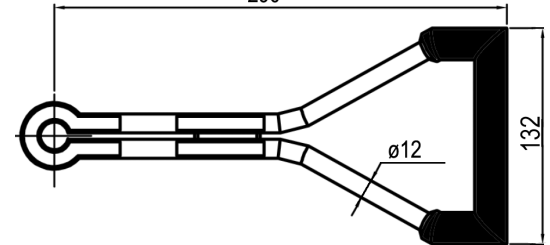
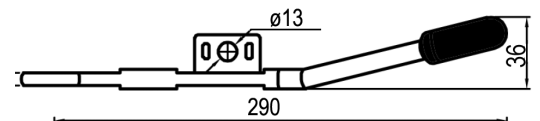
EXTERNAL ROD LATCHES - \varnothing 22 mm



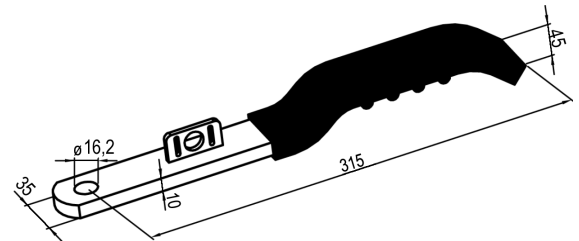
| TT-number | Name | Material | Weight kg/pc |
|-------------|---|-----------------|--------------|
| 1011222.100 | External latches \varnothing 22 mm - lockable | stainless steel | 1.450 |

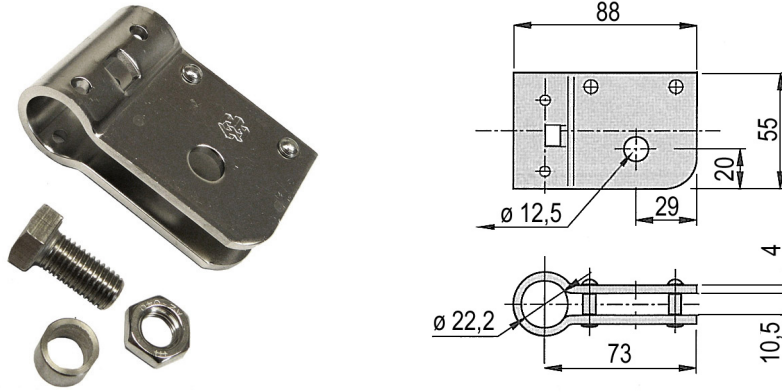


| TT-number | Name | Material | Weight kg/pc |
|-------------|-------------|------------------|--------------|
| 1011224.000 | Lever DELTA | stainless steel | 0.690 |
| 1012224.000 | Lever DELTA | galvanized steel | |

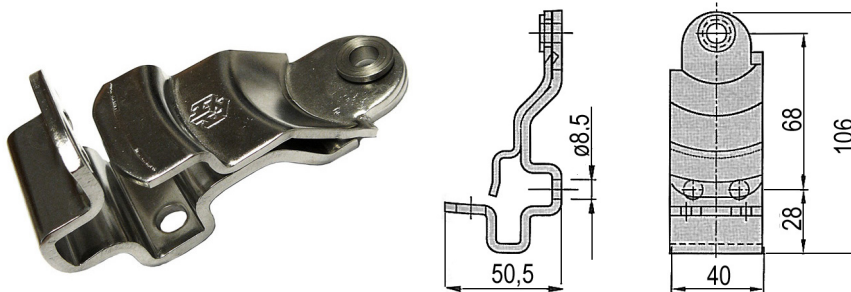


| TT-number | Name | Material | Weight kg/pc |
|-------------|-------------------------|------------------|--------------|
| 1011227.000 | Flat lever with plastic | stainless steel | 0.995 |
| 1012227.000 | Flat lever with plastic | galvanized steel | |

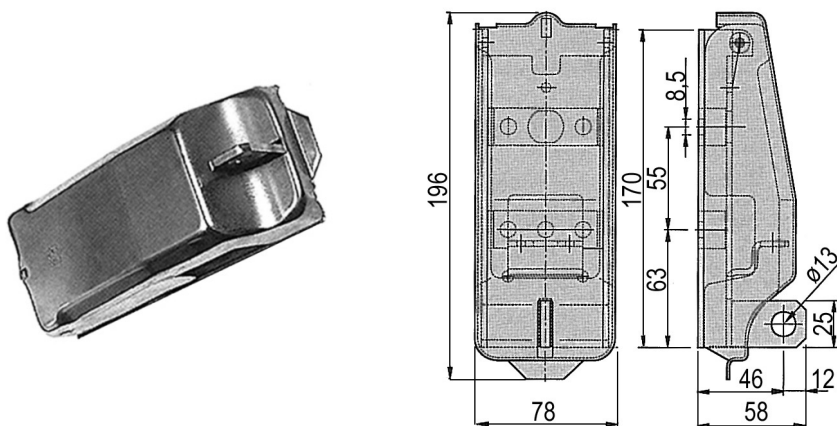


EXTERNAL ROD LATCHES - $\varnothing 22$ mm

| TT-number | Name | Material | Weight kg/pc |
|-------------|------------------------------|------------------|-----------------|
| 1011228.050 | Pipe sleeve $\varnothing 22$ | stainless steel | 0.32 |
| 1012228.050 | Pipe sleeve $\varnothing 22$ | galvanized steel | |



| TT-number | Name | Material | Weight kg/pc |
|-------------|------------|------------------|-----------------|
| 1011228.100 | Lever lock | stainless steel | 0.25 |
| 1012228.100 | Lever lock | galvanized steel | |



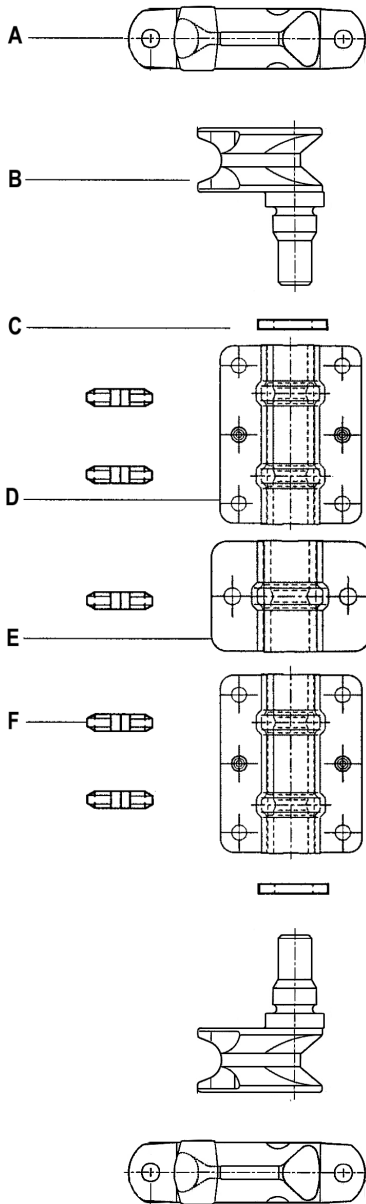
| TT-number | Name | Material | Weight kg/pc |
|-------------|----------|------------------|-----------------|
| 1011230.001 | TIR lock | stainless steel | 0.72 |
| 1012230.001 | TIR lock | galvanized steel | |

1011270.001
External rod latch \varnothing 27 mm - set

Material: stainless steel
 Weight: 1.900 kg

1012270.001
External rod latch \varnothing 27 mm - set

Material: galvanized
 Weight: 1.900 kg



Spare parts

| TT-number | Name | Material | Number of pieces in the set | Weight kg/pc | Position |
|-------------|--------------|-----------------|-----------------------------|--------------|----------|
| 1011270.101 | Holder | stainless steel | 2 | 0.52 | A |
| 1011270.201 | Hook | | 2 | 0.53 | B |
| 1011270.301 | Large flange | | 2 | 0.44 | D |
| 1011270.400 | Small flange | | 1 | 0.25 | E |
| 1011270.500 | Washer | | 2 | 0.027 | C |
| 1011270.600 | Insert | | nylon | 5 | 0.002 |

| TT-number | Name | Material | Number of pieces in the set | Weight | Position |
|-------------|--------------|------------------|-----------------------------|--------|----------|
| 1012270.101 | Holder | galvanized steel | 2 | 0.52 | A |
| 1012270.201 | Hook | | 2 | 0.53 | B |
| 1012270.301 | Large flange | | 2 | 0.44 | D |
| 1012270.400 | Small flange | | 1 | 0.25 | E |
| 1012270.500 | Washer | | 2 | 0.027 | C |
| 1012270.600 | Insert | nylon | 5 | 0.002 | F |

| TT-number | Name | Material | Weight |
|-------------|---------------------------------------|------------------|--------|
| 1011273.000 | Pipe \varnothing 27 x 2.5 - 3000 mm | stainless steel | 4.450 |
| 1012273.000 | Pipe \varnothing 27 x 2.5 - 3000 mm | galvanized steel | |

EXTERNAL ROD LATCHES - $\varnothing 27$ mm

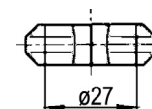
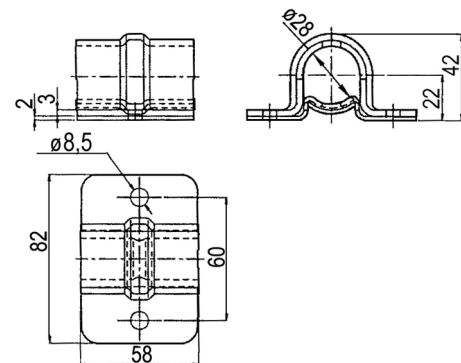
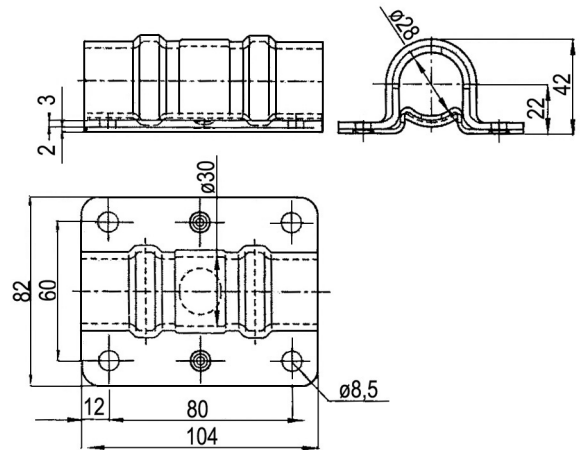
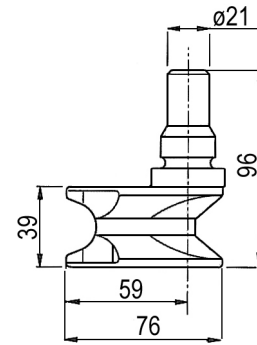
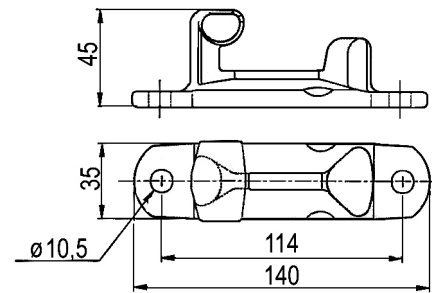
| TT-number | Name | Material | Weight kg/pc |
|-------------|--------|------------------|--------------|
| 1011270.101 | Holder | stainless steel | 0.52 |
| 1012270.101 | Holder | galvanized steel | |

| TT-number | Name | Material | Weight kg/pc |
|-------------|------|------------------|--------------|
| 1011270.201 | Hook | stainless steel | 0.53 |
| 1012270.201 | Hook | galvanized steel | |

| TT-number | Name | Material | Weight kg/pc |
|-------------|--------------|------------------|--------------|
| 1011270.301 | Large flange | stainless steel | 0.44 |
| 1012270.301 | Large flange | galvanized steel | |

| TT-number | Name | Material | Weight kg/pc |
|-------------|--------------|------------------|--------------|
| 1011270.400 | Small flange | stainless steel | 0.250 |
| 1012270.400 | Small flange | galvanized steel | |

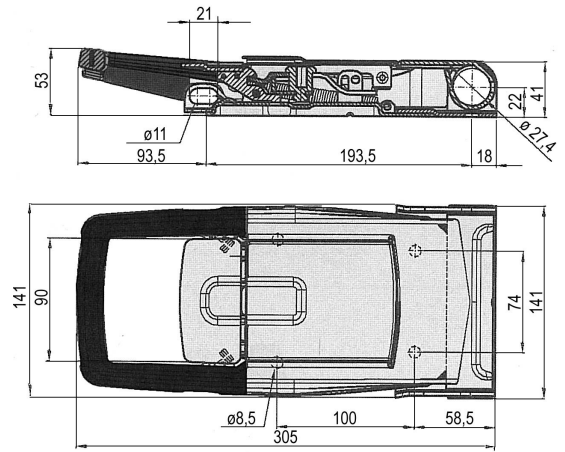
| TT-number | Name | Material | Weight kg/pc |
|-------------|--------|----------|--------------|
| 1011270.600 | Insert | nylon | 0.002 |



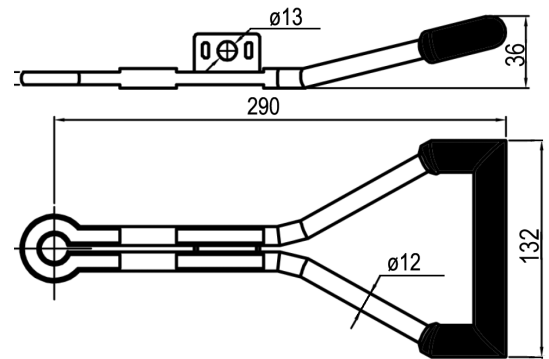
EXTERNAL ROD LATCHES - \varnothing 27 mm



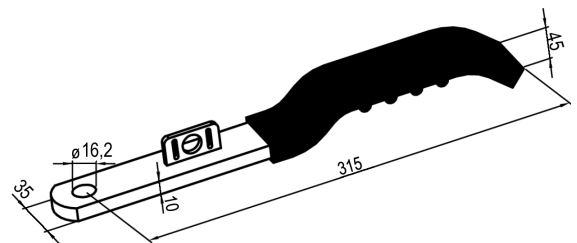
| TT-number | Name | Material | Weight kg/pc |
|-------------|---|-----------------|--------------|
| 1011271.101 | External latches \varnothing 27 mm - lockable | stainless steel | 2.055 |

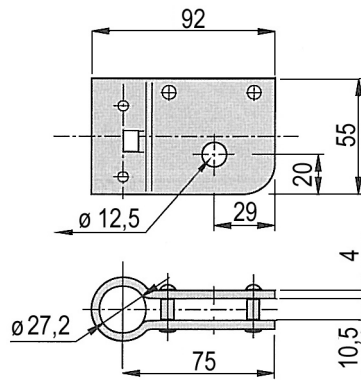


| TT-number | Name | Material | Weight kg/pc |
|-------------|-------------|------------------|--------------|
| 1011224.000 | Lever DELTA | stainless steel | 0.690 |
| 1012224.000 | Lever DELTA | galvanized steel | |

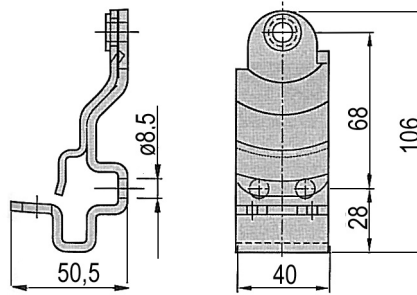
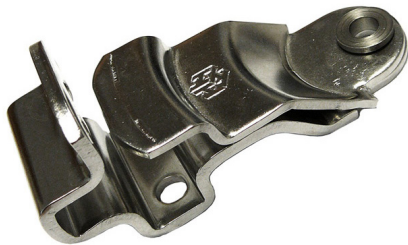


| TT-number | Name | Material | Weight kg/pc |
|-------------|-------------------------|------------------|--------------|
| 1011227.000 | Flat lever with plastic | stainless steel | 0.995 |
| 1012227.000 | Flat lever with plastic | galvanized steel | |

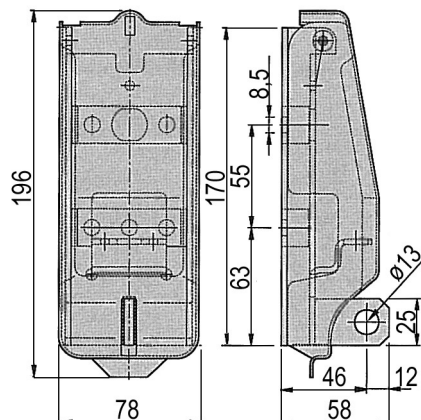


EXTERNAL ROD LATCHES - $\varnothing 27$ mm

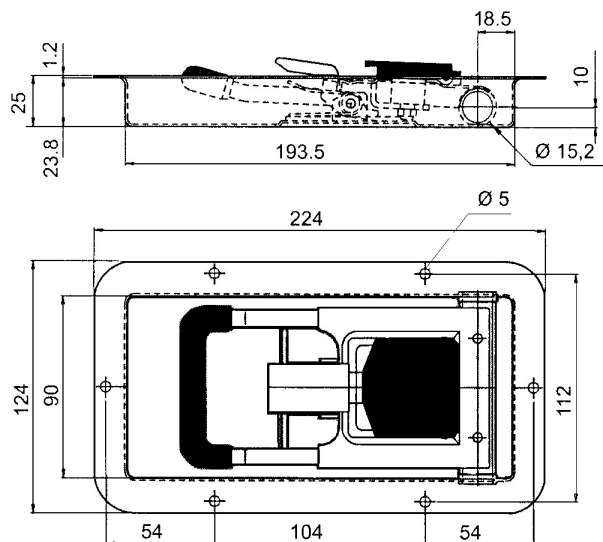
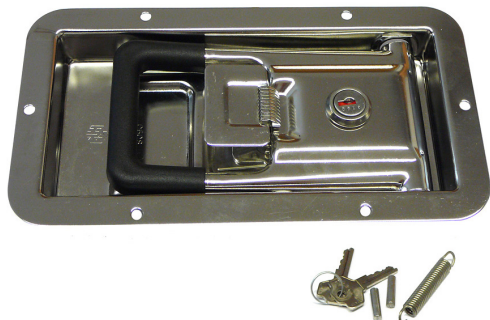
| TT-number | Name | Material | Weight kg/pc |
|-------------|------------------------------|------------------|--------------|
| 1011272.050 | Pipe sleeve $\varnothing 27$ | stainless steel | 0.37 |
| 1012272.050 | Pipe sleeve $\varnothing 27$ | galvanized steel | |



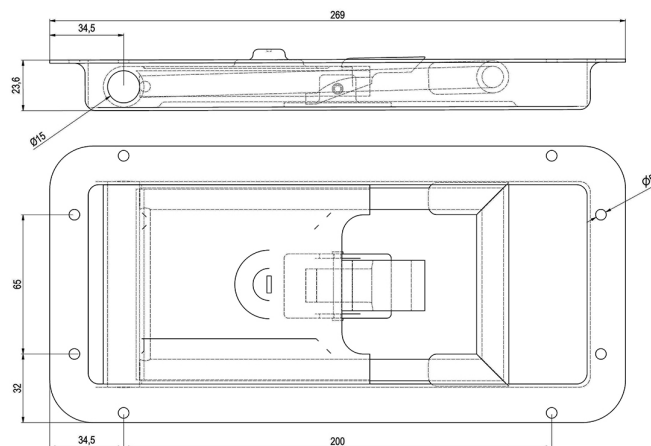
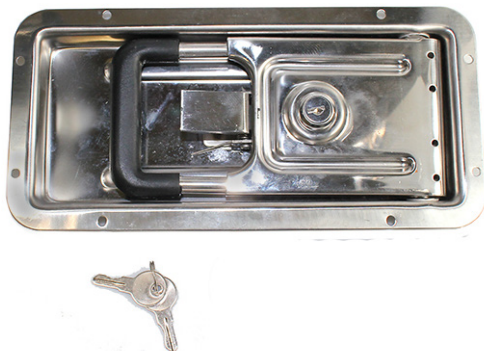
| TT-number | Name | Material | Weight |
|-------------|------------|------------------|--------|
| 1011228.100 | Lever lock | stainless steel | 0.25 |
| 1012228.100 | Lever lock | galvanized steel | |



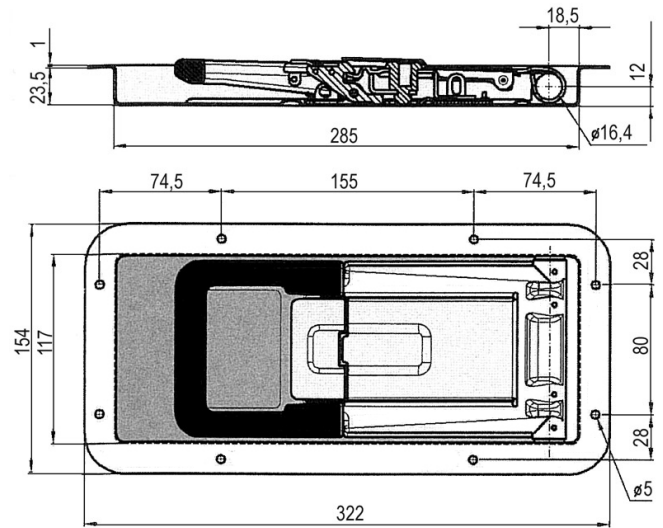
| TT-number | Name | Material | Weight kg/pc |
|-------------|----------|------------------|--------------|
| 1011230.001 | TIR lock | stainless steel | 0.72 |
| 1012230.001 | TIR lock | galvanized steel | |



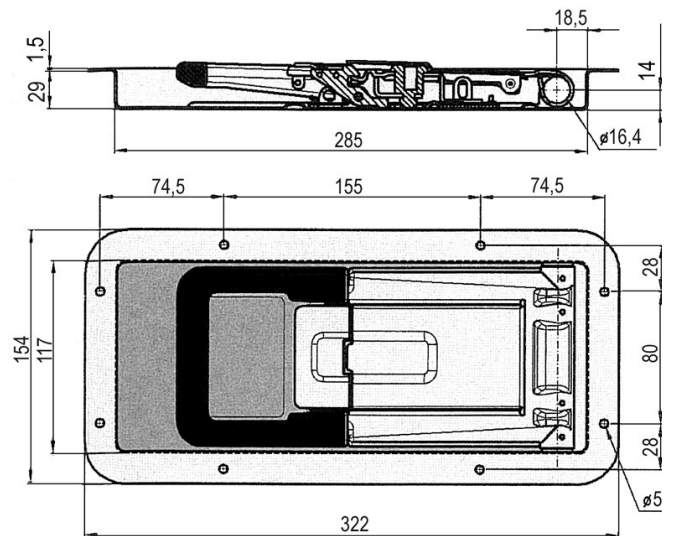
| TT-number | Name | Material | Weight kg/pc |
|--------------|--|-----------------|--------------|
| 1021225.0001 | Recessed latch 25 mm for rod \varnothing 15 mm | stainless steel | 0.75 |
| 1021226.300 | Stainless steel rod \varnothing 15 x 3000 tensile glossy | stainless steel | 4.05 |



| TT-number | Name | Material | Weight kg/pc |
|-------------|---------------------------------------|-----------------|--------------|
| 1021303.025 | Recessed latch, stainless steel 25 mm | stainless steel | 0.71 |

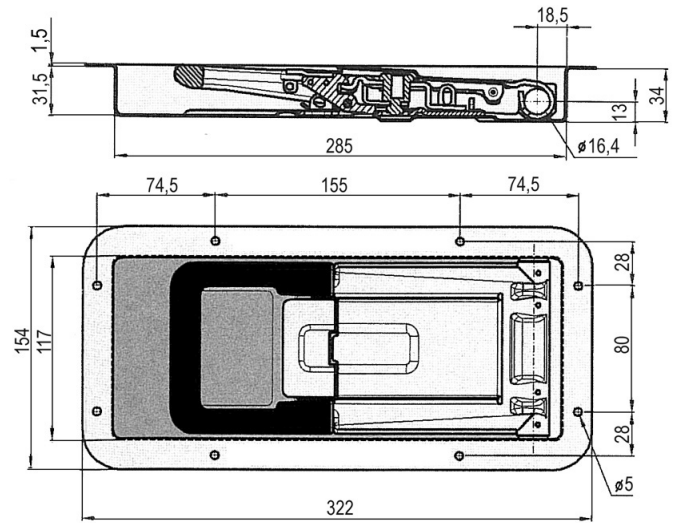
SWIVEL LATCH RECESSED - \varnothing 16 mm

| TT-number | Name | Material | Weight kg/pc |
|-------------|--|-----------------|--------------|
| 1021301.023 | Recessed latch 23.5 mm for rod \varnothing 16 mm | stainless steel | 1.178 |



| TT-number | Name | Material | Weight kg/pc |
|-------------|--|-----------------|--------------|
| 1021301.029 | Recessed latch 29 mm for rod \varnothing 16 mm | stainless steel | 1.25 |

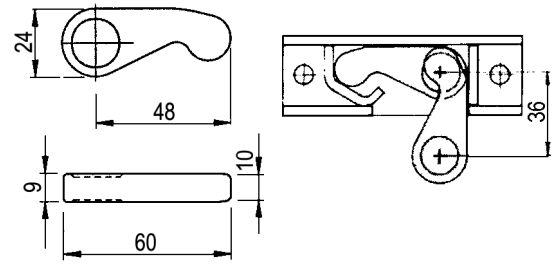
SWIVEL LATCHES RECESSED - \varnothing 16 mm



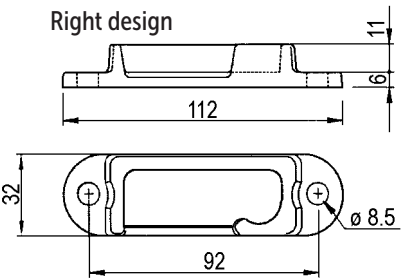
| TT-number | Name | Material | Weight kg/pc |
|-------------|--|-----------------|--------------|
| 1021301.034 | Recessed latch 34 mm for rod \varnothing 16 mm | stainless steel | 1.26 |

SWIVEL LATCHES RECESSED - HOLDERS AND CAMS

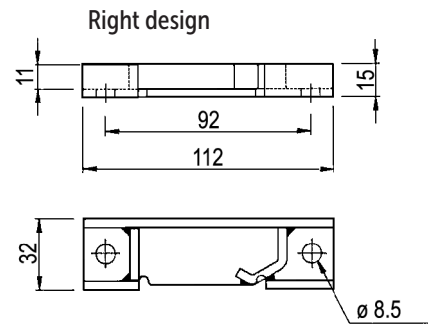
| TT-number | Name | Material | Weight kg/pc |
|-------------|------|-----------------|--------------|
| 1021400.000 | Cam | stainless steel | 0.070 |



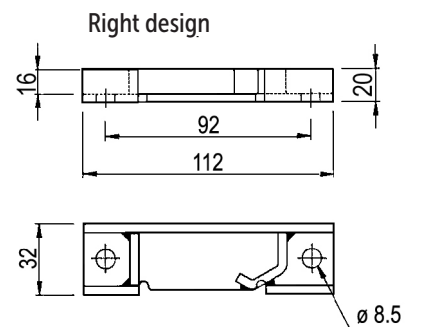
| TT-number | Name | Material | Weight kg/pc |
|-------------|-----------------------|-----------------|--------------|
| 1021401.000 | Forged holder - right | stainless steel | 0.220 |
| 1021402.000 | Forged holder - left | | |



| TT-number | Name | Material | Weight kg/pc |
|-------------|----------------------|-----------------|--------------|
| 1021405.000 | Lower holder - right | stainless steel | 0.175 |
| 1021406.000 | Lower holder - left | stainless steel | |



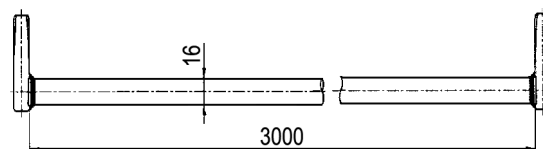
| TT-number | Name | Material | Weight kg/pc |
|-------------|----------------|-----------------|--------------|
| 1021407.000 | Holder - right | stainless steel | 0.175 |
| 1021408.000 | Holder - left | stainless steel | |



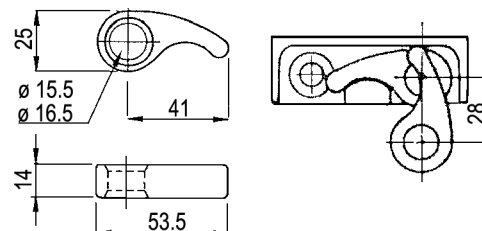
SWIVEL LATCHES RECESSED - HOLDERS AND CAMS



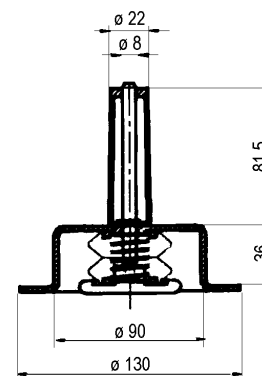
| TT-number | Name | Material | Weight kg/pc |
|-------------|--------------|-----------------|--------------|
| 1011165.100 | Rod with cam | stainless steel | 4.25 |



| TT-number | Name | Material | Weight kg/pc |
|-------------|-------------|-----------------|--------------|
| 1021510.000 | Cam ø 15 mm | stainless steel | 0.065 |
| 1021510.100 | Cam ø 16 mm | stainless steel | 0.065 |



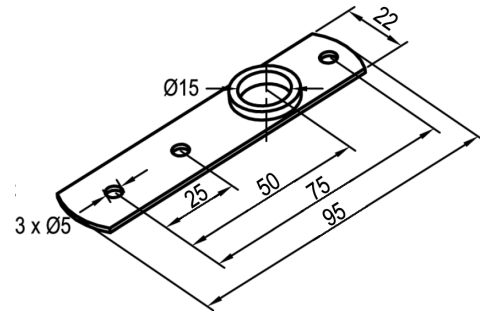
| TT-number | Name | Weight kg/pc |
|-------------|---|--------------|
| 1011650.000 | Button to open the latch from inside the superstructure | 0.15 |



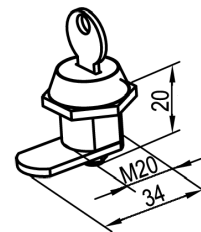
SWIVEL CAPS RECESSED

Suitable for all types of swivel hooks

| TT-number | Name | Material | Weight kg/pc |
|-------------|---------------------|------------------|--------------|
| 1022123.400 | Swivel tube conduit | galvanized steel | 0.045 |

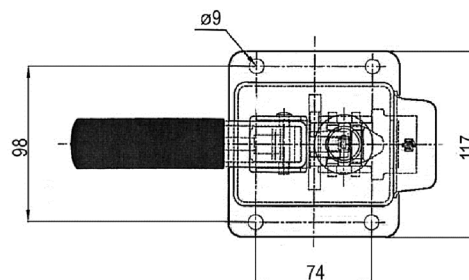
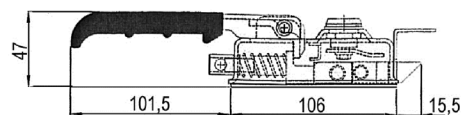


| TT-number | Name | Spare key | Weight kg/pc |
|-------------|-------------------------------|-------------|--------------|
| 1021123.300 | Lock insert / stainless steel | 1021230.400 | 0.07 |
| 1021123.301 | | 1021230.401 | |
| 1021123.302 | | 1021230.402 | |
| 1021123.304 | | 1021230.404 | |

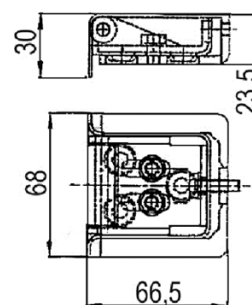




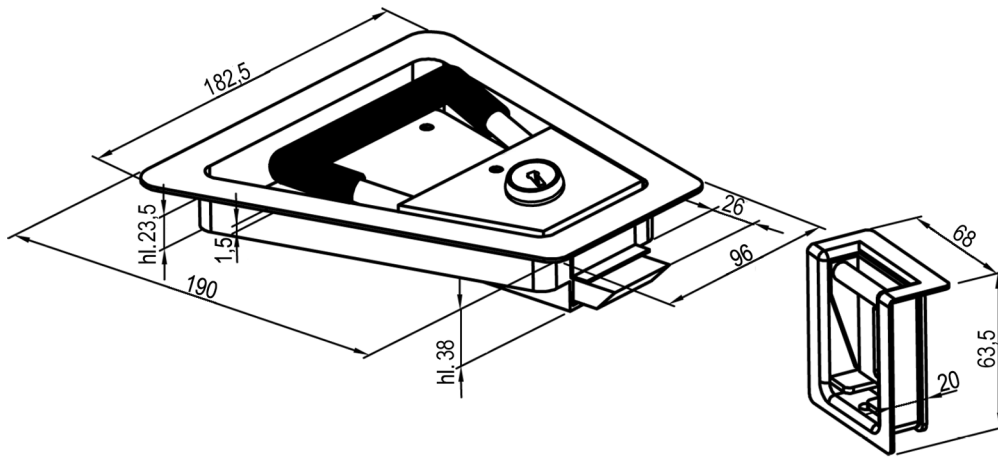
| TT-number | Name | Material | Weight kg/pc |
|-------------|--|-----------------|--------------|
| 1031001.200 | Latch complete with recessed counterpart | stainless steel | 1.2 |



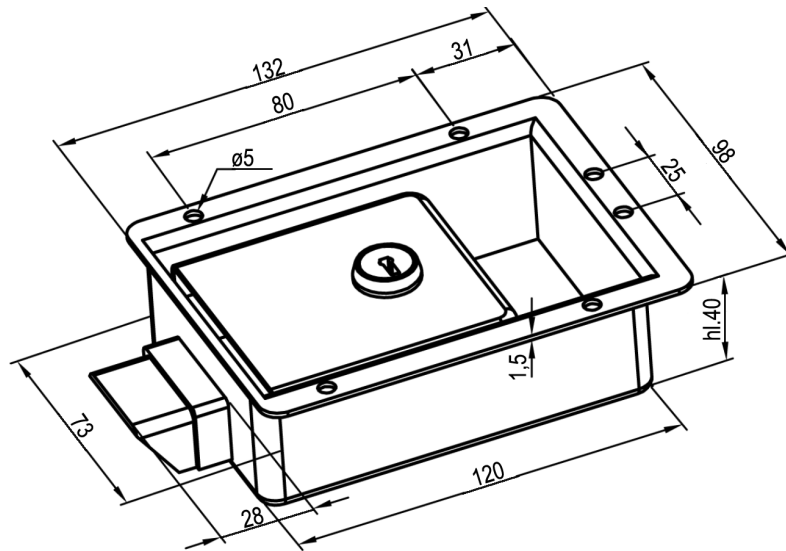
| TT-number | Name | Material | Weight kg/pc |
|-------------|--|-----------------|--------------|
| 1031001.300 | Built-in counterpart for latch 1031001.200 | stainless steel | 0.250 |



RATCHET LATCHES RECESSED



| TT-number | Name | Material | Weight kg/pc |
|-------------|--|-----------------|--------------|
| 1031700.300 | Recessed latch with counterpart - complete | stainless steel | 1.400 |



| TT-number | Name | Material | Weight kg/pc |
|-------------|----------------------------------|-----------------|--------------|
| 1031701.000 | Recessed ratchet latch with lock | stainless steel | 0.735 |

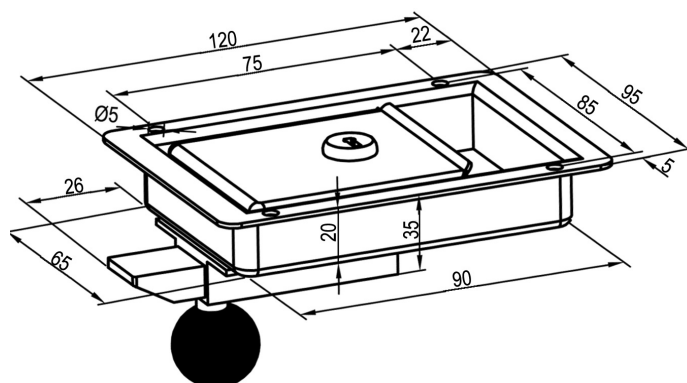
RATCHET LATCHES RECESSED

Recessed ratchet latch lockable with inside opening

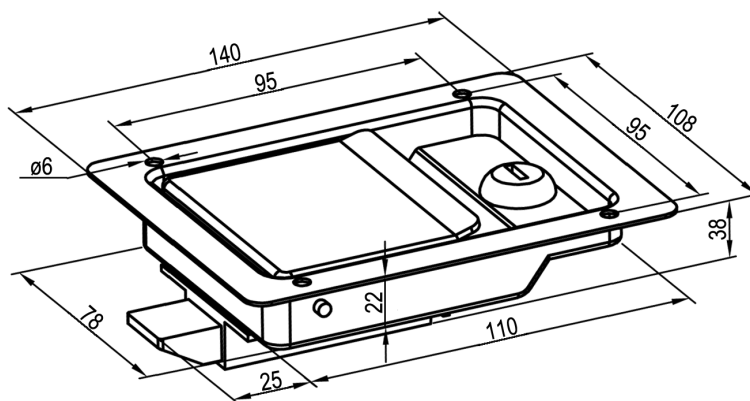
Lightweight ratchet latch for left and right doors.

The lock is in the opening plate.

The latch is equipped with a mechanism for opening from the inside.



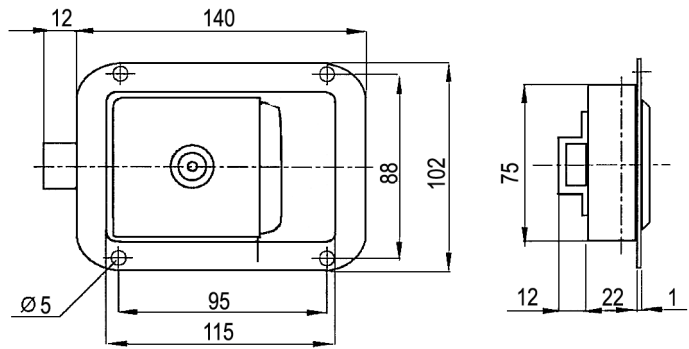
| TT-number | Name | Material | Weight kg/pc | Key number |
|-------------|---|-----------------|--------------|------------|
| 1031702.000 | Recessed ratchet latch, lockable with opening from the inside | | 0.355 | 502 |
| 1031703.000 | | | | 504 |
| 1031704.000 | | | | 505 |
| 1031705.000 | | | | 506 |
| 1031702.100 | Replacement lock insert | stainless steel | 0.040 | 502 |
| 1031703.100 | | | | 504 |
| 1031704.100 | | | | 505 |
| 1031705.100 | | | | 506 |
| 1031702.200 | Spare key | | 0.006 | 502 |
| 1031703.200 | | | | 504 |
| 1031704.200 | | | | 505 |
| 1031705.200 | | | | 506 |



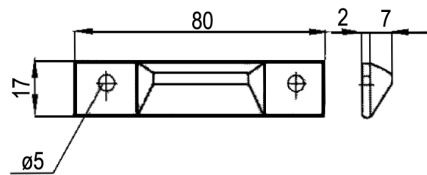
| TT-number | Name | Material | Weight kg/pc | Key number |
|-------------|--------------------------------|-----------------|--------------|------------|
| 1031706.000 | Recessed locking ratchet latch | stainless steel | 0.530 | 502 |
| 1031706.001 | Recessed locking ratchet latch | stainless steel | 0.530 | 504 |
| 1031706.002 | Recessed locking ratchet latch | stainless steel | 0.530 | 505 |
| 1031706.003 | Recessed locking ratchet latch | stainless steel | 0.530 | 506 |



RATCHET LATCHES RECESSED



| TT-number | Name | Material | Weight kg/pc |
|-------------|---------------------------------|------------------------------------|--------------|
| 1031732.000 | Recessed lockable ratchet latch | stainless steel ratchet - nylon | 0.44 |



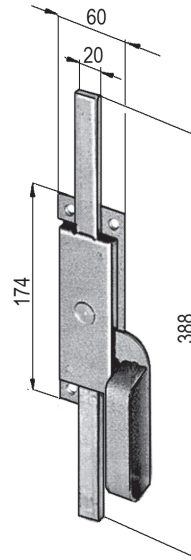
| TT-number | Name | Material | Weight kg/pc |
|-------------|---|-----------------|--------------|
| 1031731.000 | Counterpart for recessed lockable ratchet latch | stainless steel | 0.02 |



| TT-number | Name | Material | Weight kg/pc |
|-------------|--|-----------------|--------------|
| 1031732.100 | Replacement lock for latch 1031732.000 | stainless steel | 0.045 |

Internal strut latch

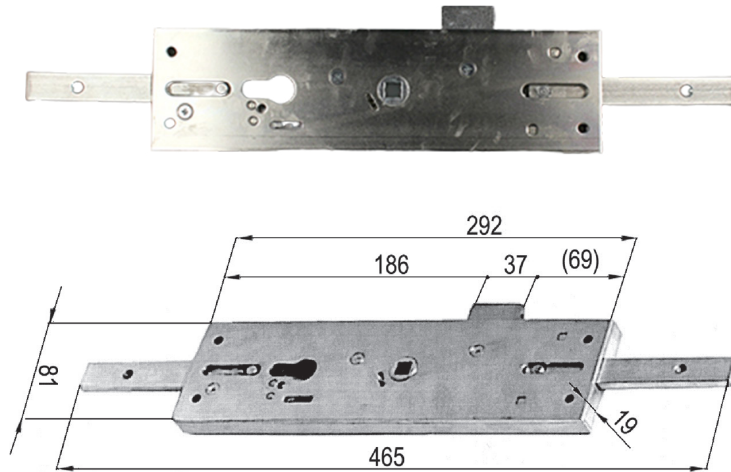
Right design



| TT-number | Name | Material | Weight kg/pc |
|-------------|-------------------|------------------|--------------|
| 1031760.100 | Strut latch left | galvanized steel | 0.85 |
| 1031760.200 | Strut latch right | galvanized steel | 0.85 |



RECESSED RATCHET LATCHES - THREE-POINT LOCK



1031802.000

Right design

LEFT DESIGN

1031800.100

| TT-number | Name | Material | Number of pieces / lock | Weight kg/pc |
|-------------|-------------------------------|------------------|-------------------------|--------------|
| 1031801.000 | Three-point lock, left design | galvanized steel | 1 | 1.9 |
| 1031803.000 | Plug | galvanized steel | 2 | 0.16 |
| 1031804.000 | Ratchet | nylon | 1 | 0.01 |
| 1031805.000 | Conduit | galvanized steel | 2 | 0.08 |
| 1031806.000 | U-profile L = 3000 mm | galvanized steel | 1 | 1.1 |
| 1031807.000 | Lock | | 1 | 0.12 |
| 1031809.000 | Bowl cap left | galvanized steel | 1 | 0.55 |
| 1042003.100 | PUR handle left | polyurethane | 1 | 0.16 |
| 1042006.100 | Internal handle PUR left | polyurethane | 1 | 0.12 |

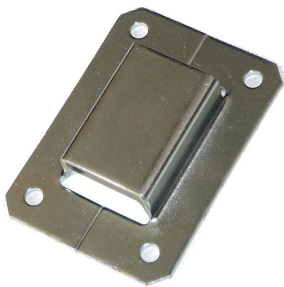
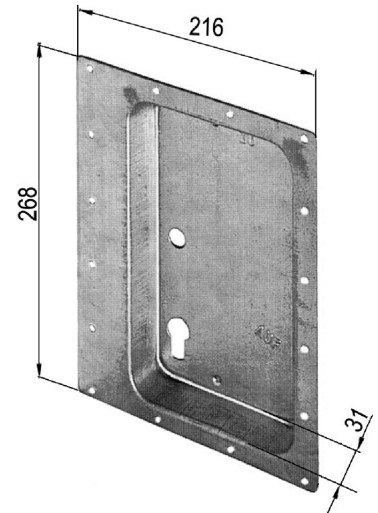
RIGHT DESIGN

1031800.200

| TT-number | Name | Material | Number of pieces / lock | Weight kg/pc |
|-------------|--------------------------------|------------------|-------------------------|--------------|
| 1031802.000 | Three-point lock, right design | galvanized steel | 1 | 1.9 |
| 1031803.000 | Plug | galvanized steel | 2 | 0.16 |
| 1031804.000 | Ratchet | nylon | 1 | 0.01 |
| 1031805.000 | Conduit | galvanized steel | 2 | 0.08 |
| 1031806.000 | U-profile L = 3000 mm | galvanized steel | 1 | 1.1 |
| 1031807.000 | Lock | | 1 | 0.12 |
| 1031810.000 | Bowl latch right | galvanized steel | 1 | 0.55 |
| 1042003.200 | PUR handle right | polyurethane | 1 | 0.16 |
| 1042006.200 | Internal PUR handle right | polyurethane | 1 | 0.12 |

RECESSED RATCHET LATCHES - THREE-POINT LOCK

1031810.000
Right design
Built-in space 235 x 138 x 31 mm



1031805.000



1031804.000



1031803.000



1042003.200 - right



1042006.200 - right

RECESSED RATCHET LATCHES - THREE-POINT LOCK

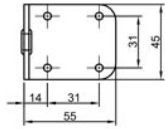
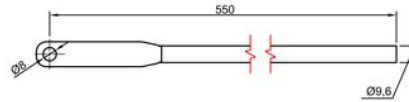
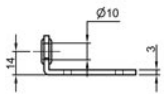
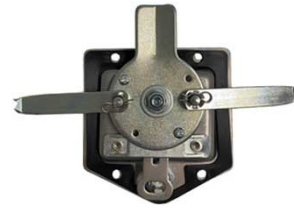
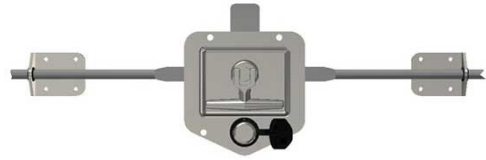
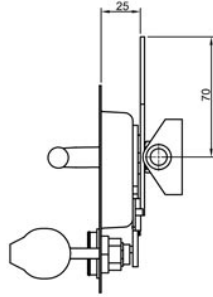
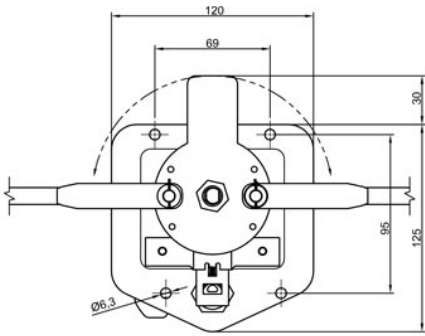
1031800.000

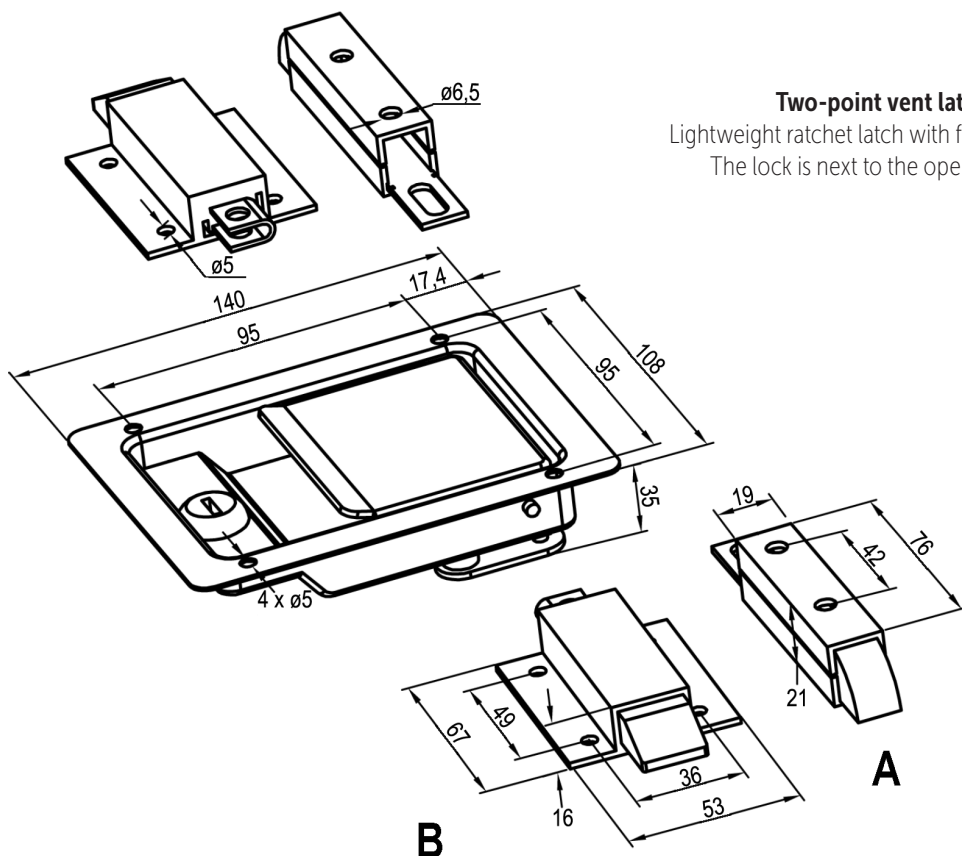
3-point lock

Material: STAINLESS STEEL

Dimensions: 120/125/25 mm

Depth: 25 mm





Two-point vent latch
 Lightweight ratchet latch with flexible latches
 The lock is next to the opening plate

| TT-number | Name | Material | Weight kg/pc | Key number |
|-------------|---------------|----------|--------------|-------------------------|
| 1031707.000 | Ratchet latch | | 1.390 | 502 |
| 1031708.000 | | | | 504 |
| 1031709.000 | | | | 505 |
| 1031710.000 | | | | 506 |
| 1031702.100 | | | | Replacement lock insert |
| 1031703.100 | 504 | | | |
| 1031704.100 | 505 | | | |
| 1031705.100 | 506 | | | |
| 1031702.200 | Spare key | | 0.006 | 502 |
| 1031703.200 | | | | 504 |
| 1031704.200 | | | | 505 |
| 1031705.200 | | | | 506 |

| TT-number | Name | Material | Weight kg/pc | Position |
|-------------|------------------|------------------|--------------|----------|
| 1032711.000 | Flexible ratchet | galvanized steel | 0.18 | A |
| 1032712.000 | Flexible ratchet | | 0.20 | B |

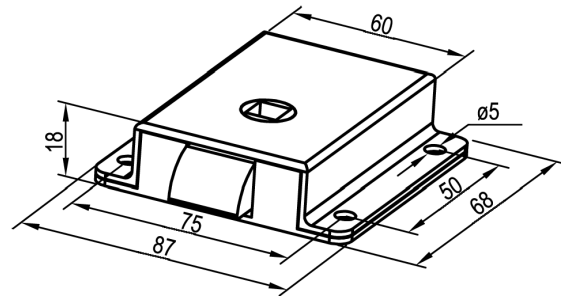
| TT-number | Name | Material | Weight kg/pc |
|-------------|-----------------|------------------|--------------|
| 1032713.000 | Pull rod 760 mm | galvanized steel | 0.100 |

RATCHET LATCHES RECESSED

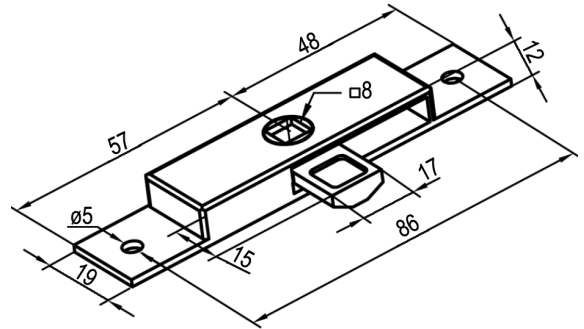
Ratchet latch

Can be used as left and right for 8 mm square mandrel or for through-going square shaped handles.
Without lock

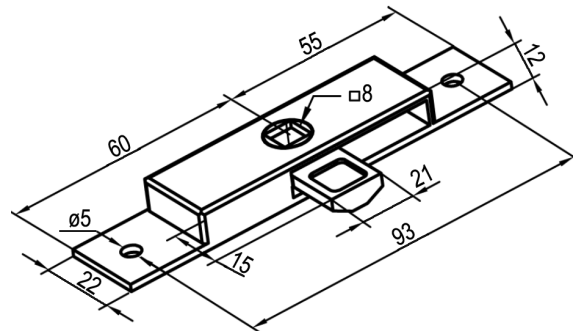
| TT-number | Name | Material | Weight kg/pc |
|-------------|---------------|------------------|--------------|
| 1032800.000 | Ratchet latch | galvanized steel | 0.285 |



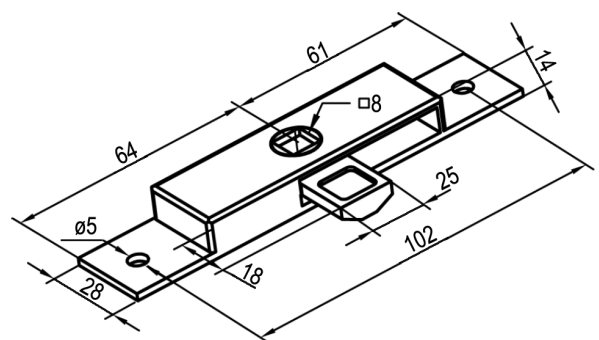
| TT-number | Name | Material | Weight kg/pc |
|-------------|--------------------|--------------------------|--------------|
| 1032802.000 | Latch without lock | steel, yellow galvanized | 0.080 |



| TT-number | Name | Material | Weight kg/pc |
|-------------|--------------------|--------------------------|--------------|
| 1032803.000 | Latch without lock | steel, yellow galvanized | 0.110 |



| TT-number | Name | Material | Weight kg/pc |
|-------------|--------------------|--------------------------|--------------|
| 1032804.000 | Latch without lock | steel, yellow galvanized | 0.175 |



| TT-number | Name | Material | Weight kg/pc |
|-------------|----------|-------------------|--------------|
| 1032805.000 | Key 8 mm | steel, galvanized | 0.070 |

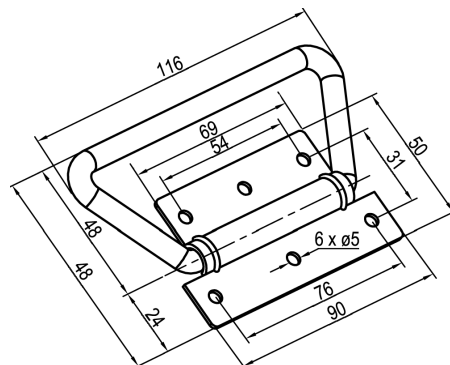


1041001.000

Folding handle with screw-in plate

Material: stainless steel, polished

Weight: 0.15 kg/pc



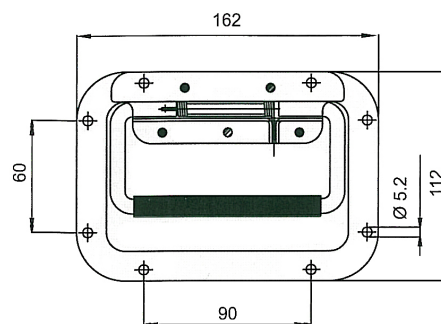
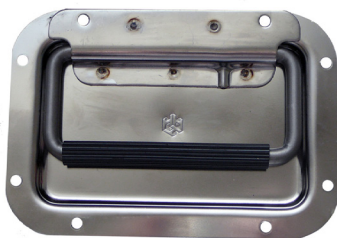
1041002.000

Handle recessed

Dimensions 162 x 112 x 10 mm

Material: stainless steel, polished

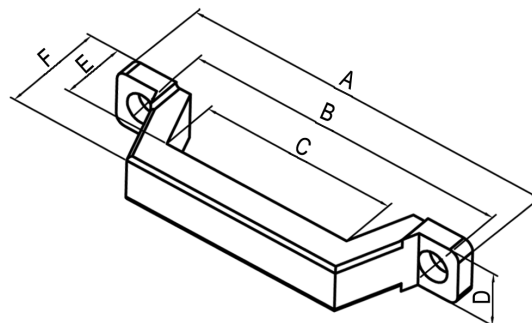
Weight: 0.44 kg/pc



Plastic handle with steel reinforcement

Application: door handle, covers, flaps, bonnets on vehicles, aggregates, machines, in freezers and other facilities.

Material: black plastic



| TT-number | | Dimension |
|-------------|-------------|-----------|
| 1041003.000 | 1041004.000 | |
| 190 | 280 | A |
| 160 | 250 | B |
| 100 | 175 | C |
| 30 | 30 | D |
| 32 | 35 | E |
| 50 | 55 | F |

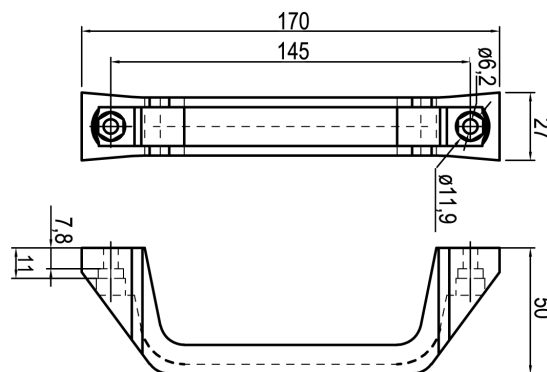
1041005.000

Plastic handle

Application: especially for sliding doors, sliding walls, swing doors, hinged walls, partition walls, flaps.

Material: plastic, colour black

Weight: approx. 0.075 kg



HANDLES

1041006.000

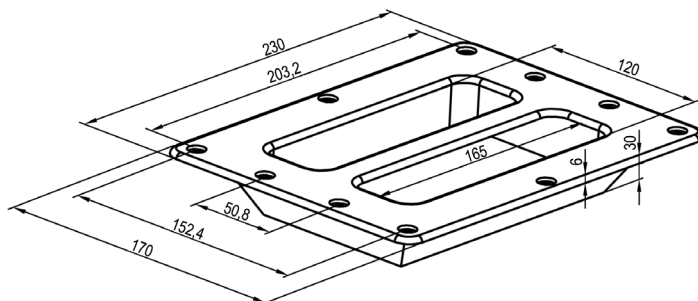
Plastic recessed handle with steel reinforcement

Application: for sliding doors, sliding walls, swing doors, hinged walls, partition walls, flaps, lids, cabinets and doors. It can also be used as a carrying handle. Frame and handle reinforcement is made of galvanized steel sheet metal.

Fastened with 10 screws \varnothing 5 mm.

Material: polyurethane blend, colour black

Weight: approx. 0.375 kg

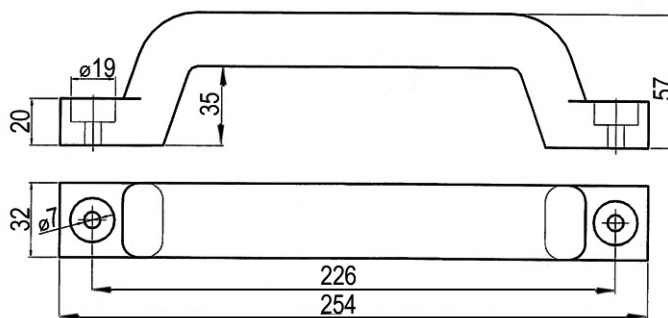


1041012.000

Plastic handle L = 254 mm

Material: plastic, colour black

Weight: 0.15 kg/pc



1041013.000

Plastic handle L = 245 mm

Material: plastic, colour black

Weight: 0.04 kg/pc

